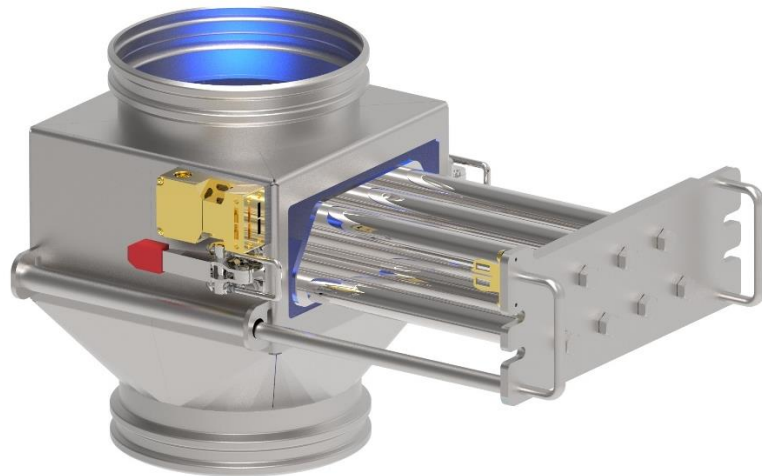


PRODUCT INFORMATION

Magnetic grating, type series HLM R.....



HLM R-7-SR with safety position switch with extended magnetic drawer

Area of application

The magnetic filter type HLM R... is used for separating ferromagnetic and para-magnetic iron impurities from dried, powdery, free-flowing, lumpy product streams in free-fall pipes. It is designed for and used in hygienic and aseptic areas of the food, chemical and pharmaceutical industries in accordance with the special requirements of the operating company.

Operating principle

The product to be cleaned flows through the magnetic filter and in particular the magnet rods in a cascade-like manner with the magnetisable ferromagnetic and para-magnetic iron impurities being attracted by the magnetic rods and sticking to them.

Cleaning

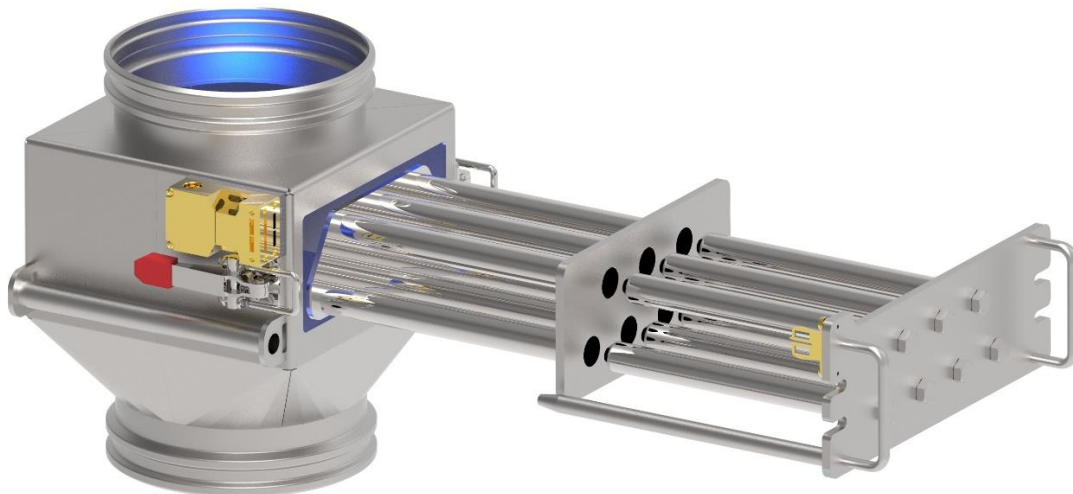
To remove the captured impurities the housing is opened and the magnet insert is pulled out of the housing. Impurities are removed from the magnet rods or are optionally brushed off using a cladding tube system.

Technical data for magnetic filter R...

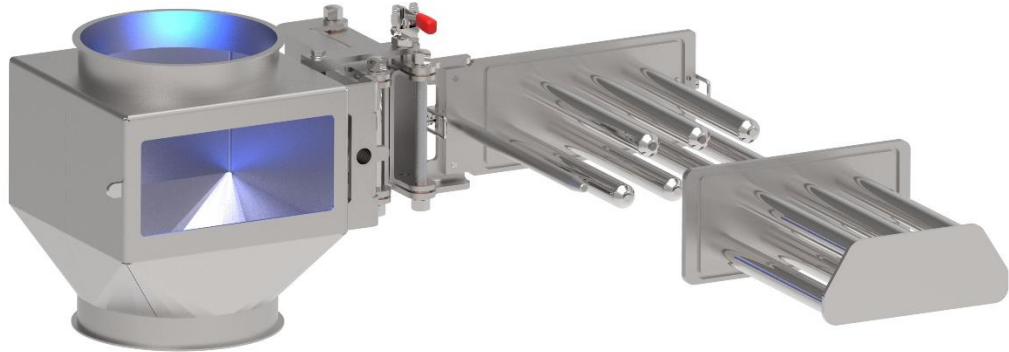
(two-layers as standard)

Pipe connection	Housing dimensions without attachments	Diameter of magnets	Number of magnetic rods	Temperature range in °C			Material qualities of the components in contact with product		Cladding tube system	Extraction system
				up to 80	up to 150	up to 300	Magnetic rod	Housing		
Nominal width (DN)	L*W*H	mm								
150	190*190*300	25	5	X	X	X	1.4571	1.4301 / 1.4571	X	X
200	250*250*300	25	7	X	X	X	1.4571	1.4301 / 1.4571	X	X
250	305*305*300	25	9	X	X	X	1.4571	1.4301 / 1.4571	X	X
300	360*360*350	25	11	X	X	X	1.4571	1.4301 / 1.4571	X	X
350	415*415*350	25	13	X	X	X	1.4571	1.4301 / 1.4571	X	X
>350	on request	25	on request	X	on request	on request	1.4571	1.4301 / 1.4571	X	X

The magnetic filters are manufactured with all required connections (Jacobs flange, flange, Tri-Clamp, pipe ends, BFM fitting, etc.) in accordance with the customer's wishes.
The devices are individually adapted to flow volumes and product characteristics.
The magnetic drawers can also be monitored by a safety position switch as an option.
Magnetic rods generally welded / encapsulated watertight in a stainless steel jacket.
ATEX available for all device sizes



HLM R-7-SR with cladding tube system and safety position switch in cleaning state



HLM R7-SWA-SR with rapid cladding tube cleaning and swivel device in cleaning state

Technical data for magnetic rods

Magnet material	Rare earth material (NdFeB)
Magnetic field strength without cladding tube variant	max. 13,000 Gauss on magnetic rod surface in contact with product*
Magnetic field strength with cladding tube variant	max. 11,000 Gauss measured on the cladding tube surface in contact with product*
Diameter	25 mm

*depending on operating temperature

Housing data

Material quality	Implementation in stainless steel 1.4301 or 1.4571 (brushed, frosted or polished)
	Seals according to regulation (EC) no. 10/2011, regulation (EC) no. 1935/2004, regulation (EC) no. 2023/2006 (GMP)